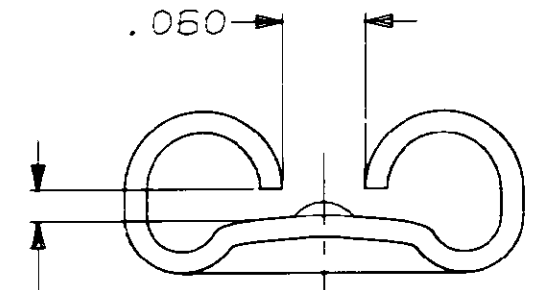
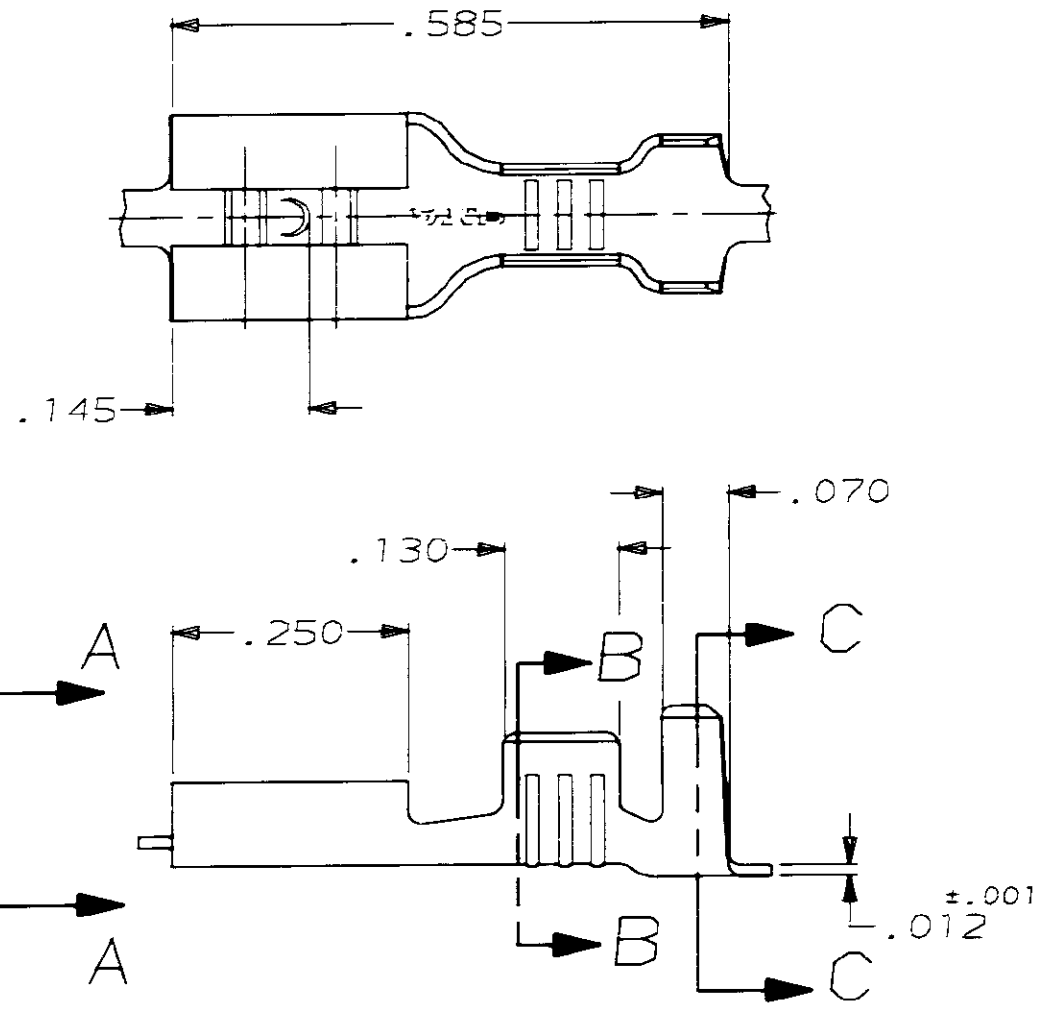


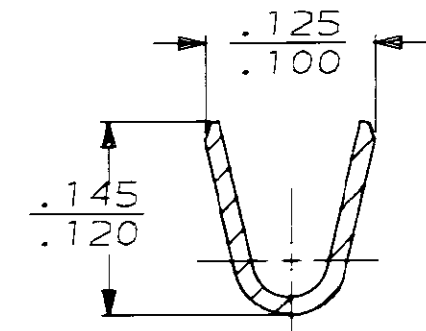
THIS DRAWING IS UNPUBLISHED. RELEASED FOR PUBLICATION, 19  
 © COPYRIGHT 19 BY AMP INCORPORATED. ALL INTERNATIONAL RIGHTS RESERVED.

LDC		DIST		REVISIONS				
ZONE	LTR	DESCRIPTION	DATE	APPD				
AF	50	P	F	F	REDRAWN	AF-7554	8/21/91	JR

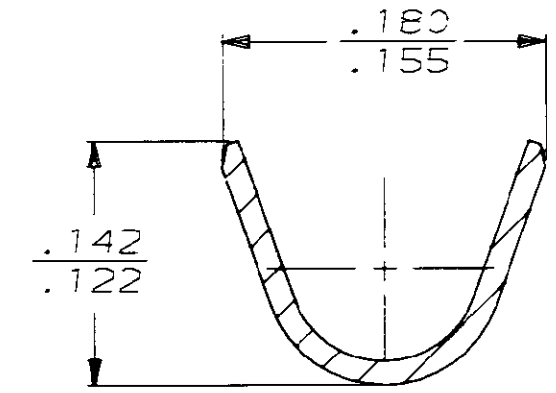
- 1 CONTINUOUS STRIP ON REELS.
- 2 FEED TO BE .650



FITS .187 SERIES FASTON TABS  
 VIEW A-A  
 SCALE 10:1



SECTION B-B  
 SCALE 10:1



SECTION C-C  
 SCALE 10:1

.060-.110 DIA	#20-16 AWG	.020	TIN	62137-2
			-	62137-1
INSULATION RANGE	WIRE SIZE	MATING TAB THK ±.001	FINISH	PART NO
DO NOT SCALE PRINT. UNLESS SPECIFIED DIMENSIONS IN mm [INCHES] TOLERANCES ON: 2 PLC DEC = - 3 PLC DEC = .015 ANGLES = -	DR 8/21/91 JR RUTH CHK 8/21/91 MS FEHER APPD 8/21/91 C MEYERS APPD 8/21/91 D REINER	<b>AMP</b> AMP Incorporated Harrisburg, PA 17105-3608		
MATERIAL H04 BRASS	PRODUCT SPEC -	NAME RECEPTACLE, FASTON, .187 SERIES		
FINISH SEE TABLE	APPLICATION SPEC -	SIZE B	CAGE CODE 00779	DRAWING NO 62137
	WEIGHT -	SCALE 5:1	SHEET 1 OF 1	